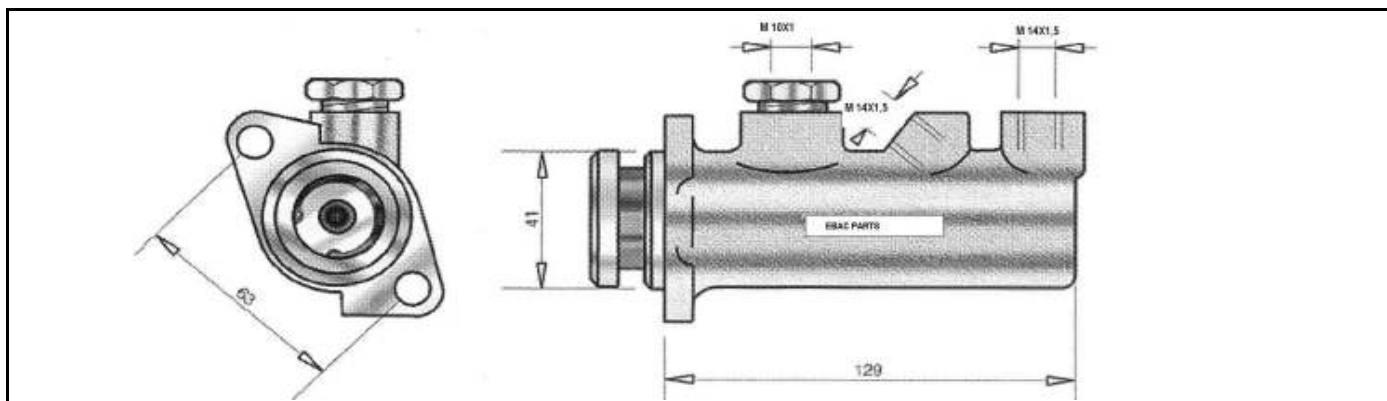
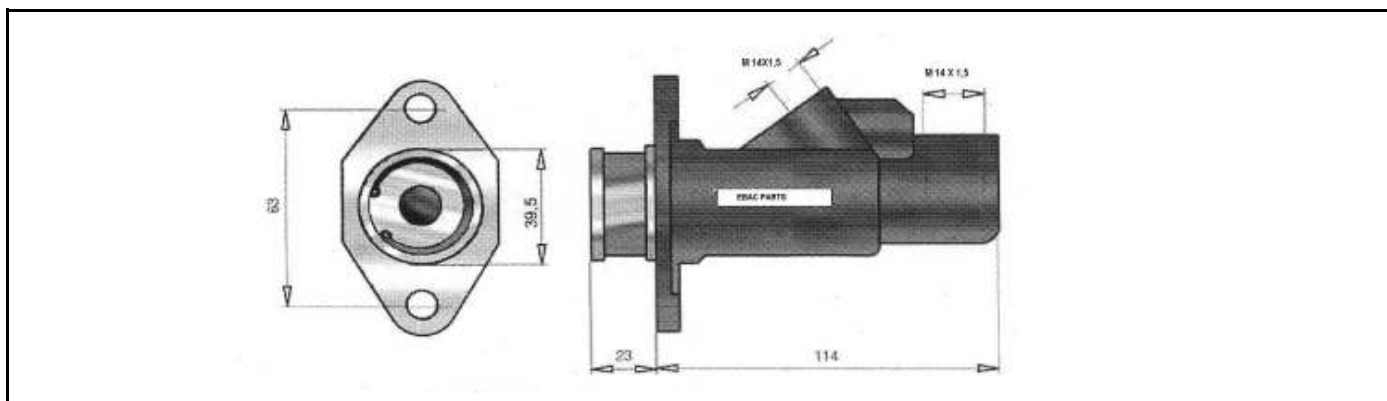


	Indice ricambi - Spare parts Massey Ferguson		
	Molti altri ricambi disponibili su richiesta - Many other parts availables on demand		
	Viele andere Ersatzteile auf anfrage - Autres pièces disponibles sur demande		
progr	Codice Originale	Codice Ebac	Description
001	3429731M1	AFD1030	Asta sterzo completa - Tie rod bar assy D
002	3764286M1	AFD1031	Asta sterzo completa - Tie rod bar assy D
003	3764024M1	AFD1095	Asta sterzo completa - Tie rod bar assy D
004	3426276M1	AFD1096	Asta sterzo completa - Tie rod bar assy D
005	3764132M1	AFD1097	Asta sterzo completa - Tie rod bar assy D
006	3907160M1	AFD1097	Asta sterzo completa - Tie rod bar assy D
007	3427168M2	AFT7243	Tirante sterzo - Tie rod end D
008	3429731M1	AFT9243	Tirante sterzo - Tie rod end D
009	3599679M92	AFT9953	Tirante sterzo - Tie rod end D
010	3426255M1	SA57016	Snodo assiale - Axial joint
011	3426255R1	SA57016	Snodo assiale - Axial joint
012	185062M3	AFS1389	Disco freno - Friction disc
013	190177M1	AFS1389	Disco freno - Friction disc
014	975744M1	AFS5055	Disco freno - Friction disc
015	980130M1	AFS1601	Disco freno - Friction disc
016	1420484M1	AFS2865	Disco freno - Friction disc
017	1423483M1	AFS5055	Disco freno - Friction disc
018	1430064M1	AFS5123	Disco freno - Friction disc
019	1618239M4	AFS5223	Disco freno - Friction disc
020	1669474M1	AFS1707	Disco freno - Friction disc
021	1672626M1	AFS1389	Disco freno - Friction disc
022	1686359M1	AFS3717	Disco freno - Friction disc
023	1688532M1	AFS5767	Disco freno - Friction disc
024	1754345M1	AFS1359	Disco freno - Friction disc
025	1804831M1	AFS1359	Disco freno - Friction disc
026	1816240M1	AFS1617	Disco freno - Friction disc
027	1860964M2	AFS1707	Disco freno - Friction disc
028	1862289M2	AFS1389	Disco freno - Friction disc
029	1870074M1	AFS1389	Disco freno - Friction disc
030	1870879M1	AFS1389	Disco freno - Friction disc
031	2527328M1	AFS1359	Disco freno - Friction disc
032	2707457M1	AFS1613	Disco freno - Friction disc
033	2718768M1	AFS1603	Disco freno - Friction disc
034	2757328M1	AFS1359	Disco freno - Friction disc
035	2815281M1	AFS1613	Disco freno - Friction disc
036	3045475M1	AFS4559	Disco freno - Friction disc
037	3381495M1	AFS5203	Disco freno - Friction disc
038	3381567M1	AFS5533	Disco freno - Friction disc
039	3385987M1	AFS4543	Disco freno - Friction disc
040	3386896M91	AFS2699	Disco freno - Friction disc
041	3386897M92	AFS2785	Disco freno - Friction disc
042	3387347M1	AFS7487	Disco freno - Friction disc
043	3616400M2	AFS5202	Disco freno - Friction disc
044	3616538M92	AFS2785	Disco freno - Friction disc
045	3616741M1	AFS7693	Disco freno - Friction disc
046	3616745M1	AFS7697	Disco freno - Friction disc
047	3617347M1	AFS7701	Disco freno - Friction disc
048	3617649M91	AFS7411	Disco freno - Friction disc
049	3617652M91	AFS3447	Disco freno - Friction disc
050	3617653M91	AFS3449	Disco freno - Friction disc
051	3619155M1	AFS5211	Disco freno - Friction disc
052	3700134M1	AFS4071	Disco freno - Friction disc

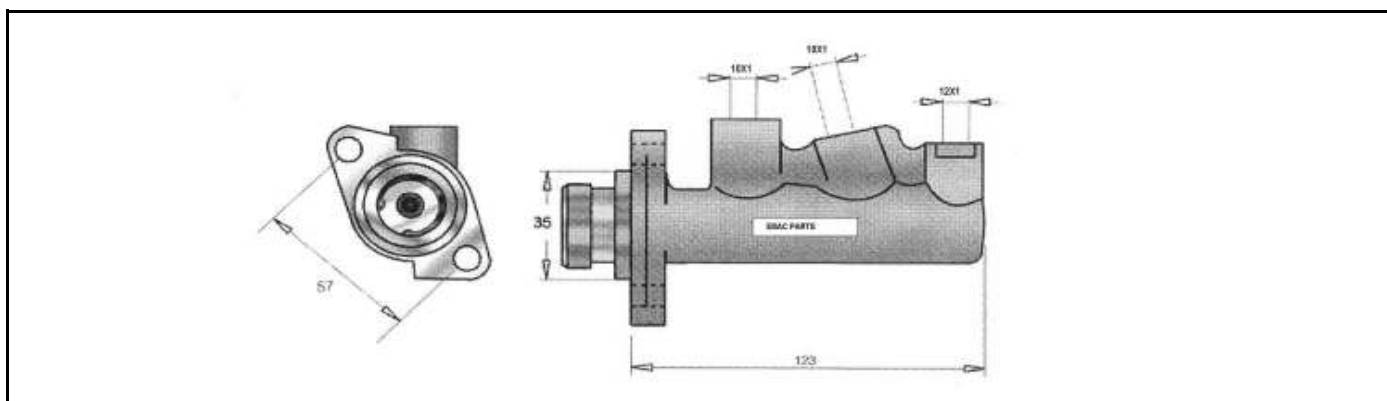
RICAMBI EBAC	Ricambi Massey Ferguson	Spare parts Massey Ferguson
------------------------	-------------------------	-----------------------------



Ebac code BT100.441M			Description Brake master cylinder

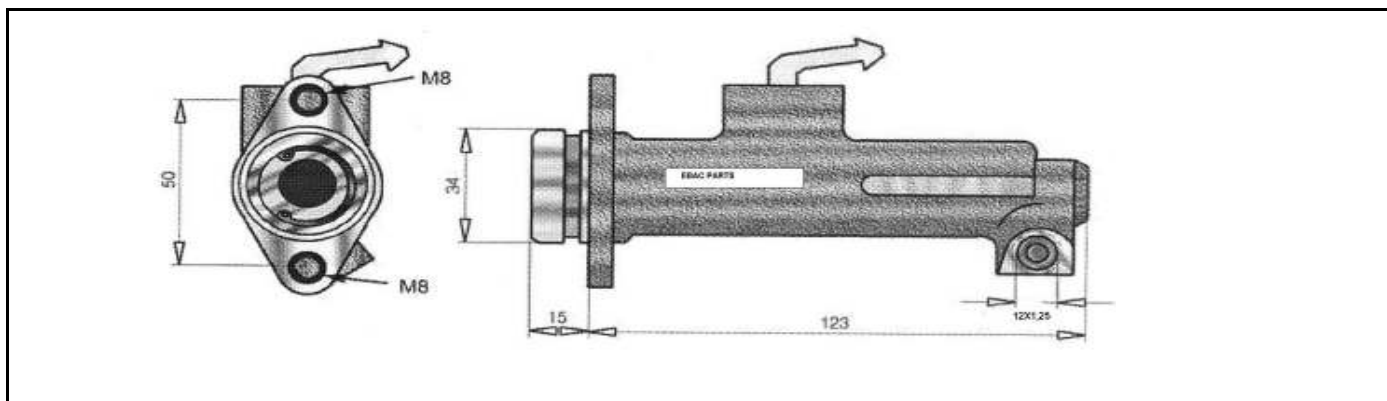


Ebac code BT100.442M			Description Brake master cylinder

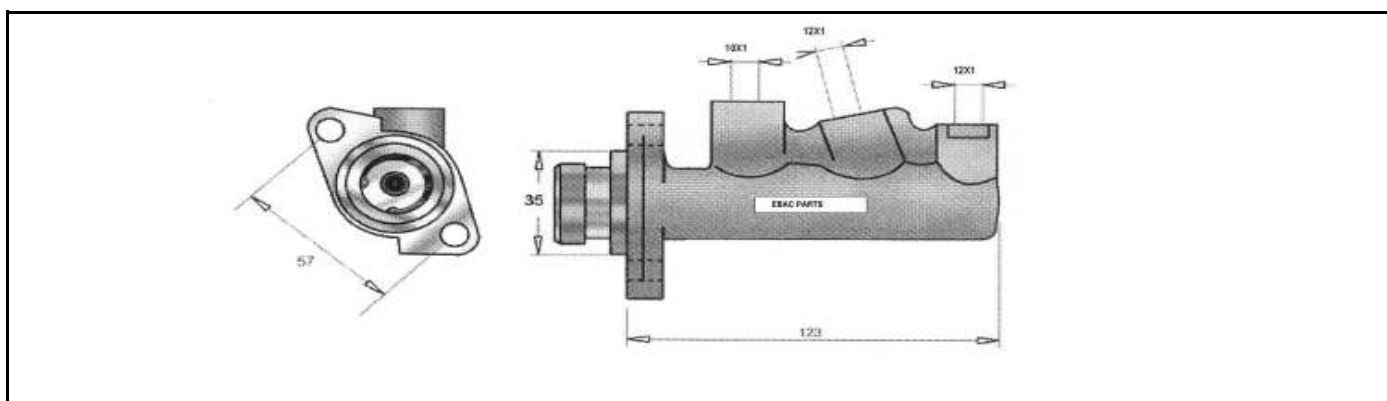


Ebac code BT34.295			Description Brake master cylinder

RICAMBI EBAC	Ricambi Massey Ferguson	Spare parts Massey Ferguson
------------------------	-------------------------	-----------------------------



Ebac code			Description
BT34.357M			Brake master cylinder



Ebac code			Description
BT34.332M			Brake master cylinder



Ebac code			Description
LN28310.D6			Brake master cylinder